

**WHEN WATER IS LIMITED,
HOW COMPETITIVE ARE YOU?**

**BE MORE COMPETITIVE –
REDUCE INSTALLATION COSTS**

Sprinkler systems can be expensive when water is limited but the 3.0 gives contractors a cost-saving option that can be used to win more business:

- ◆ Use Smaller Pipe & Fittings
- ◆ Use 5/8" Water Meters Or Existing Wells

**WITH LESS COST IN THE
INSTALLATION, YOU CAN GET
MORE BUSINESS & MORE PROFIT!**

The Tyco® Series LFII (TY1234) Rapid Response™ Residential Pendent and Recessed Pendent Sprinklers are decorative, fast response, frangible bulb sprinklers.

Designed for where there is a limited public water supply or where the system is supplied by a well, the LFII 3.0K sprinkler is the smallest K-factor residential sprinkler available. Optimized for 12 ft. x 12 ft. spacing, it is ideal for use in one- and two-family homes, townhomes and manufactured homes per NFPA 13D. The LFII 3.0K sprinkler allows a system to be designed using a smaller water service, a smaller water meter and smaller system pipe sizes, ultimately reducing the installed cost of the systems.

In NFPA 13 residential applications in high-rise buildings, there is often significant excess pressure available on lower floors to get water to the top floors. The LFII 3.0K sprinkler reduces potential over-discharge at those high pressures.

- ◆ 8 Gallons Per Minute At 12 ft. x 12 ft. Spacing
- ◆ Listings Up To 16 ft. x 16 ft. Spacing
- ◆ Used In Residential Sprinkler Systems Per NFPA 13D, 13R And 13.

**SERIES LFII 3.0 K-FACTOR
PENDENT & RECESSED PENDENT SPRINKLERS**

Residential Sprinklers (TY1234)



MIN. FLOW & RESIDUAL PRESSURE FOR HORIZONTAL CEILING <i>(Max 2" Rise for 12" Run)</i>		
Max. Coverage Area Ft. x Ft.	3.0 K-Factor TY1234	4.9 K-Factor TY2234
12 x 12	8 GPM / 7.1 psi	13 GPM / 7.0 psi
14 x 14	11 GPM / 13.4 psi	13 GPM / 7.0 psi
16 x 16	13 GPM / 18.8 psi	13 GPM / 7.0 psi
18 x 18	–	17 GPM / 12.0 psi
20 x 20	–	20 GPM / 16.7 psi

TECHNICAL DATA

Approvals & Listings: UL & C-UL Listed

Maximum Working Pressure: 175 psi (12,1 bar)

Discharge Coefficient: K = 3.0 GPM/psi^{1/2} (43,2 LPM/bar^{1/2})

Pipe Thread Connection: 1/2" NPT (15mm)

Temperature Ratings: 155°F/68°C or 175°F/79°C

Finishes: White Polyester Coated, Chrome Plated, or Natural Brass

Always refer to the Technical Data Sheets TFP402 and TFP770 for complete description of all Listing & Approval criteria, design parameters, installation instructions, care and maintenance guidelines, and our limited warranty.

SPECIFICATIONS

When placing an order, indicate the full product name. Contact your local distributor for availability. Specify temperature rating and finish.

ORDERING PROCEDURE

TY1234 Pendant(s) LFII 3.0K – 1/2" NPT

Temperature	Finish	P/N
155°F (68°C)	Chrome Plated	P/N: 51-010-9-155
155°F (68°C)	White Polyester	P/N: 51-010-4-155
155°F (68°C)	White (RAL9010)*	P/N: 51-010-3-155
155°F (68°C)	Natural Brass	P/N: 51-010-1-155
175°F (79°C)	White Polyester	P/N: 51-010-4-175
175°F (79°C)	White (RAL9010)	P/N: 51-010-3-175
175°F (79°C)	Natural Brass	P/N: 51-010-1-175

* Eastern Hemisphere sales only.

Recessed Escutcheon

Style	Material	P/N
Style 20	Brass	P/N: 56-705-2-010
Style 20	Chrome	P/N: 56-705-9-010
Style 20	White	P/N: 56-705-4-010

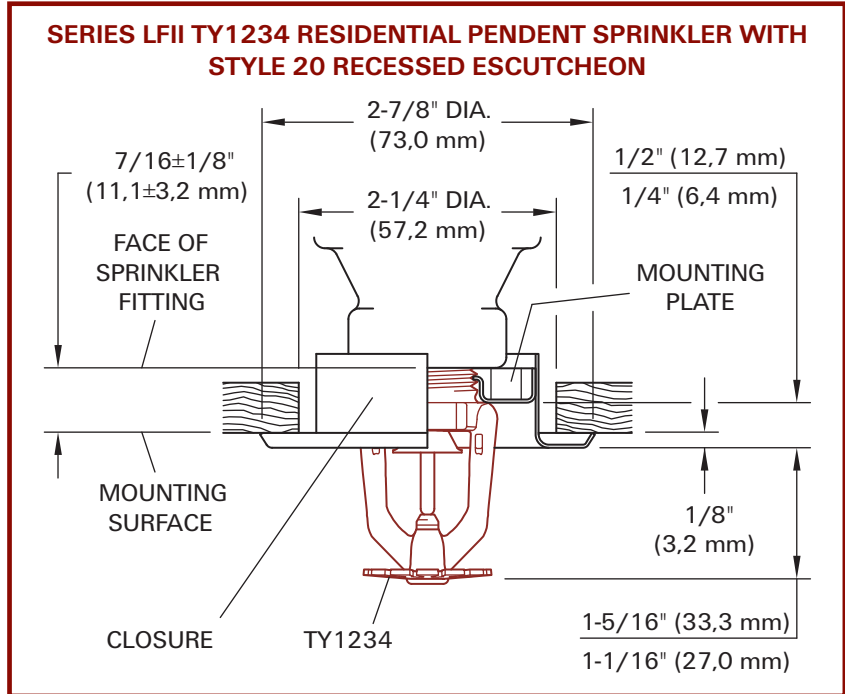
Recessed escutcheon are ordered separately. Refer to Technical Data Sheet TFP770.

Sprinkler Wrench

W-Type 6 P/N: 56-000-6-387



W-Type 7 P/N: 56-850-4-001

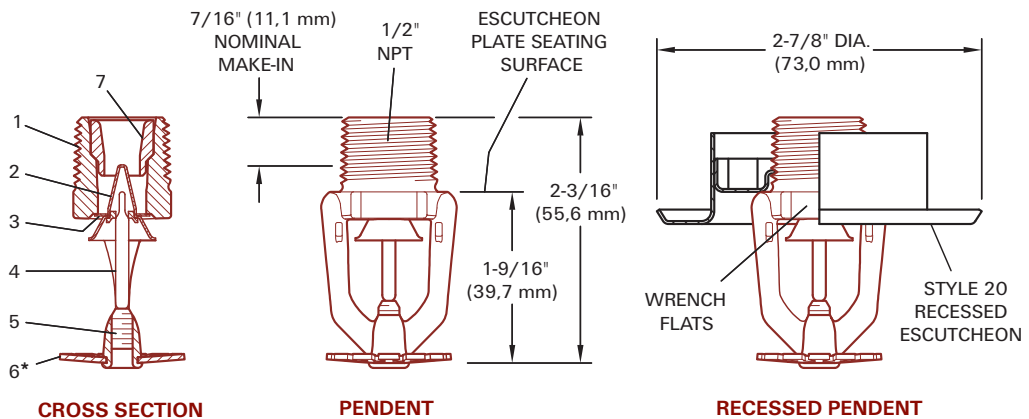


SERIES LFII (TY1234) RESIDENTIAL PENDENT & RECESSED PENDENT SPRINKLERS

Components:

- 1 - Frame
- 2 - Button
- 3 - Sealing Assembly
- 4 - Bulb
- 5 - Compression Screw
- 6 - Deflector *
- 7 - Insert

* Temperature rating is indicated on Deflector.



Tyco Fire & Building Products

Technical Services

Phone: 800-381-9312

Fax: 800-791-5500

www.Tyco-Fire.com



Always refer to the **Technical Data Sheets TFP402 and TFP770** for complete description of all Listing & Approval criteria, design parameters, installation instructions, care and maintenance guidelines, and our limited warranty.