

Series TY-B – 57, 80, and 115 K-factor Upright and Pendent Sprinklers Special Response, Standard Coverage

General Description

The Series TY-B, 57, 80, and 115 K-factor, Upright and Pendent Sprinklers described in this data sheet are special response - standard coverage, decorative 4 mm glass bulb type spray sprinklers designed for use in accordance with the installation rules recognized by the applicable Approval agency (e.g., VdS).

NOTICE

The Series TY-B Sprinklers described herein must be installed and maintained in compliance with this document, as well as with the applicable standards recognized by the Approval agency, in addition to the standards of any other authorities having jurisdiction. Failure to do so may impair the performance of these devices.

The owner is responsible for maintaining their fire protection system and devices in proper operating condition. Contact the installing contractor or product manufacturer with any questions.

Sprinkler Identification Numbers (SINs)

TY2149 – Upright 57K
TY2249 – Pendent 57K
TY3141 – Upright 80K
TY3241 – Pendent 80K
TY4141 – Upright 115K
TY4241 – Pendent 115K



Technical Data

Approvals

VdS Approved (CEA 4001)

Maximum Working Pressure

12,1 bar

Discharge Coefficient

K = 57 lpm/bar^{1/2}

K = 80 lpm/bar^{1/2}

K = 115 lpm/bar^{1/2}

Temperature Ratings

57°C, 68°C, 79°C, 93°C, and 141°C

Finishes

Refer to Table A.

Physical Characteristics

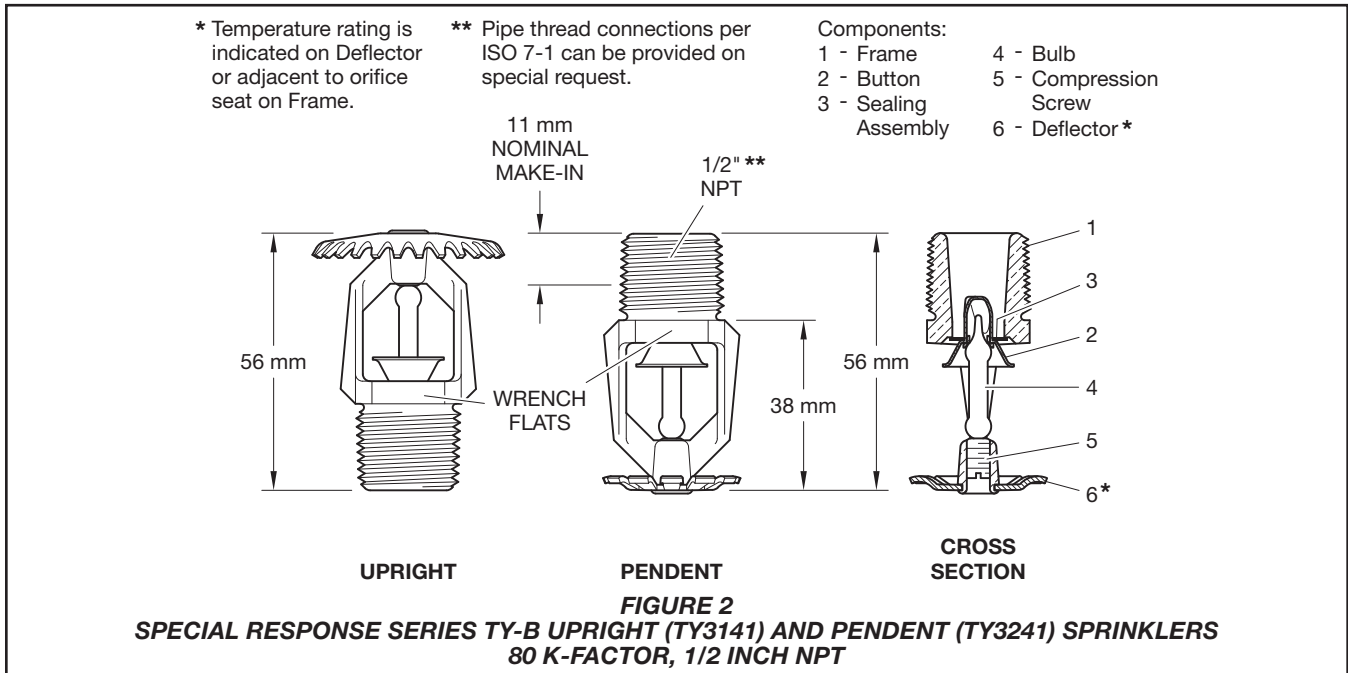
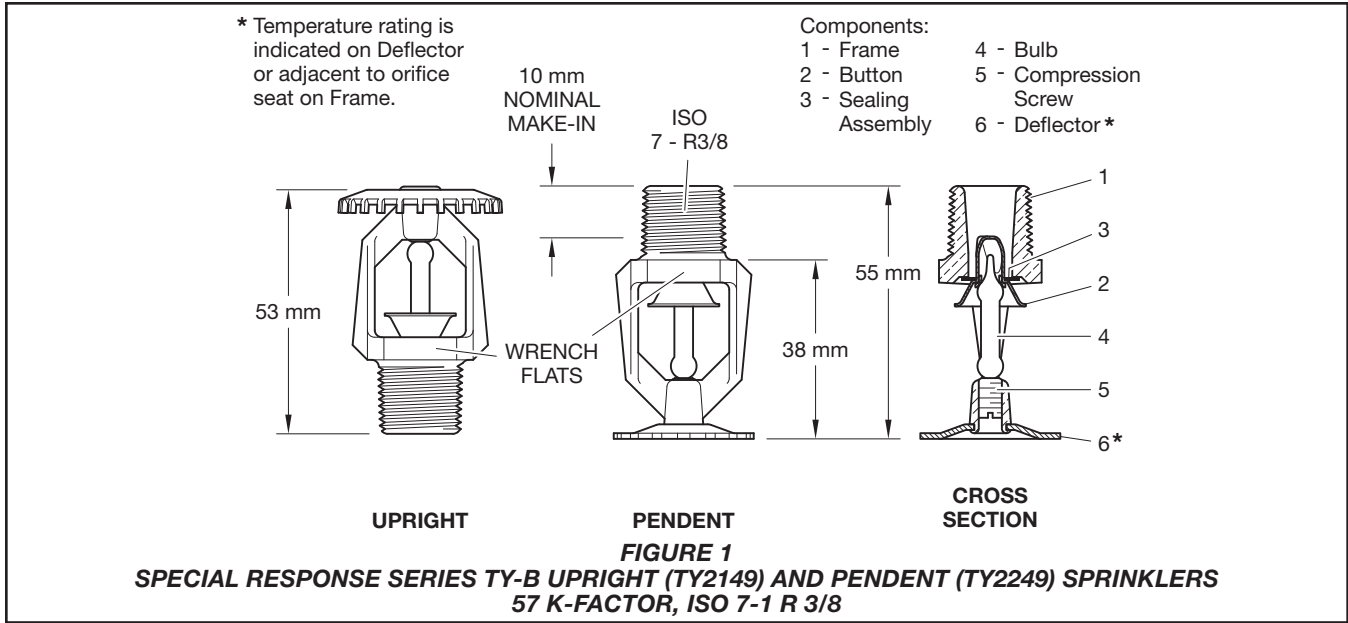
Frame	Bronze
Button	Brass/Copper
Sealing Assembly	Beryllium Nickel w/TEFLON
Bulb	Glass
Compression Screw	Bronze
Deflector	Copper

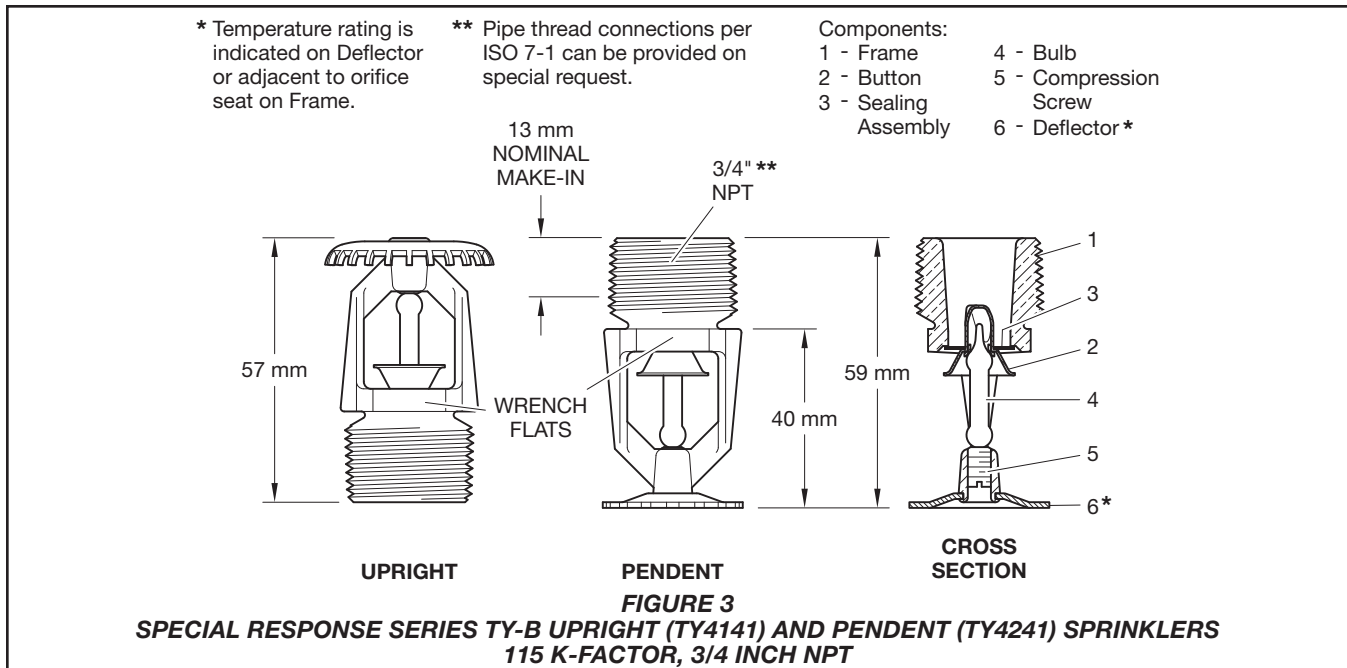
Operation

The glass bulb contains a fluid which expands when exposed to heat. When the rated temperature is reached, the fluid expands sufficiently to shatter the glass bulb, allowing the sprinkler to activate and water to flow.

IMPORTANT

Always refer to Technical Data Sheet TFP700 for the "INSTALLER WARNING" that provides cautions with respect to handling and installation of sprinkler systems and components. Improper handling and installation can permanently damage a sprinkler system or its components and cause the sprinkler to fail to operate in a fire situation or cause it to operate prematurely.





Installation

The Series TY-B Sprinklers must be installed in accordance with this section.

General Instructions

Do not install any bulb type sprinkler if the bulb is cracked or there is a loss of liquid from the bulb. With the sprinkler held horizontally, a small air bubble should be present. The diameter of the air bubble is approximately 1,6 mm for the 57°C to 2,4 mm for the 141°C temperature ratings.

A leak tight ISO 7-1 R 3/8 sprinkler joint should be obtained with a torque of 8 to 16 Nm. A leak tight 1/2 inch NPT sprinkler joint should be obtained with a torque of 9 to 19 Nm. A leak tight 3/4 inch NPT sprinkler joint should be obtained with a torque of 13 to 27 Nm. Higher levels of torque may distort the sprinkler inlet and cause leakage or impairment of the sprinkler.

Do not attempt to make up for insufficient adjustment in the escutcheon plate by under- or over-tightening the sprinkler. Readjust the position of the sprinkler fitting to suit.

The Series TY-B Pendent and Upright Sprinklers must be installed in accordance with the following instructions:

Step 1. Pendent sprinklers are to be installed in the pendent position, and upright sprinklers are to be installed in the upright position.

Step 2. With pipe thread sealant applied to the pipe threads, hand tighten the sprinkler into the sprinkler fitting.

Step 3. Tighten the sprinkler into the sprinkler fitting using only the W-Type 6 Sprinkler Wrench (Ref. Figure 4) or W-Type 7 Sprinkler Wrench (Ref. Figure 5). With reference to Figures 1, 2, and 3, the W-Type 6 or W-Type 7 Sprinkler Wrench is to be applied to the wrench flats.

Care and Maintenance

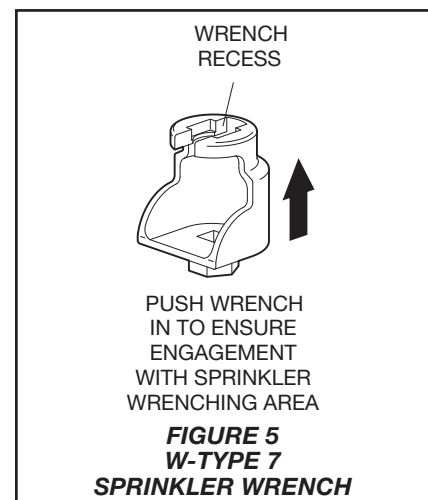
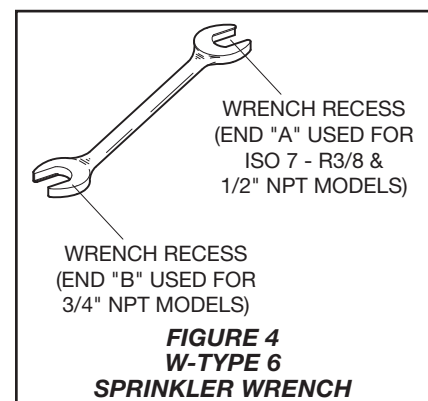
The Series TY-B Sprinklers must be maintained and serviced in accordance with this section.

Before closing a fire protection system main control valve for maintenance work on the fire protection system that it controls, permission to shut down the affected fire protection system must be obtained from the proper authorities and all personnel who may be affected by this action must be notified.

Sprinklers that are found to be leaking or exhibiting visible signs of corrosion must be replaced.

Automatic sprinklers must never be painted, plated, coated or otherwise altered after leaving the factory. Modified sprinklers must be replaced. Sprinklers that have been exposed to corrosive products of combustion, but have not operated, should be replaced if they cannot be completely cleaned by wiping the sprinkler with a cloth or by brushing it with a soft bristle brush.

Care must be exercised to avoid damage to the sprinklers before, during, and after installation. Sprinklers damaged by dropping, striking, wrench



P/N 57 - XXX - X - XXX

		SIN	SPRINKLER FINISH		TEMPERATURE RATING	
480	57K UPRIGHT (ISO 7-1 R 3/8)	TY2149	1	NATURAL BRASS	135	57°C
481	57K PENDENT (ISO 7-1 R 3/8)	TY2249	3	PURE WHITE (RAL9010)* POLYESTER	155	68°C
470	80K UPRIGHT (1/2" NPT)	TY3141	4	SIGNAL WHITE (RAL9003) POLYESTER	175	79°C
471	80K PENDENT (1/2" NPT)	TY3241	9	CHROME PLATED	200	93°C
490	115K UPRIGHT (3/4" NPT)	TY4141			286	141°C
491	115K PENDNET (3/4" NPT)	TY4241				

* Eastern Hemisphere sales only

TABLE A
SERIES TY-B SPECIAL RESPONSE PENDENT AND UPRIGHT SPRINKLERS
PART NUMBER SELECTION

twist/slippage, or the like, must be replaced. Also, replace any sprinkler that has a cracked bulb or that has lost liquid from its bulb. (Ref. Installation Section).

The owner is responsible for the inspection, testing, and maintenance of their fire protection system and devices in compliance with this document, as well as with the applicable standards of the National Fire Protection Association (e.g., NFPA 25), in addition to the standards of any other authorities having jurisdiction. Contact the installing contractor or product manufacturer with any questions.

It is recommended that automatic sprinkler systems be inspected, tested, and maintained by a qualified Inspection Service in accordance with local requirements and/or national codes.

Limited Warranty

For warranty terms and conditions, visit www.tyco-fire.com

Ordering Procedure

Contact your local distributor for availability. When placing an order, indicate the full product name and Part Number (P/N).

Sprinkler Assembly

Specify: (Specify) SIN, (specify) K-factor, Series TY-B (specify Pendent or Upright) Sprinkler Special Response, (specify) temperature rating, with (specify) finish, P/N (specify from Table A)

Sprinkler Wrench

Specify: W-Type 6 Sprinkler Wrench, P/N 56-000-6-387

Specify: W-Type 7 Sprinkler Wrench, P/N 56-850-4-001