

Model SF-1 Sight Flow Connection, 1 and 2 Inch (DN25 and DN50) 175 psi (12,1 bar)

General Description

The Model SF-1 Sight Flow Connections (Ref. Figure 1) are designed for use in fire protection systems as a means for visibly checking that water is flowing and filling the pipe at that point. They are usually installed in main drain lines and inspector's test pipes, when it is not possible to terminate the discharge outlet where the water flow can be readily observed. They are also used in diesel engine fire pump installations to indicate the flow of cooling water to the engine.

The Model SF-1 Sight Flow Connection is a re-designation of the Gem Model F1321.

NOTICE

The Model SF-1 Sight Flow Connection described herein must be installed and maintained in compliance with this document, as well as with the applicable standards of the National Fire Protection Association, in addition to the standards of any other authorities having jurisdiction. Failure to do so may impair the performance of these devices.

The owner is responsible for maintaining their fire protection system and devices in proper operating condition. The installing contractor or sprinkler manufacturer should be contacted with any questions.

Sight Flow Connections provide a cursory means for verifying fill appearing water flow in an inspector's test pipe. They do not indicate that the sprinkler system or drain line is free of obstructions.

Technical Data

Approvals

UL Listed. FM Approved.

Maximum Working Pressure

175 psi (12,1 bar)

Connection

1 Inch or 2 Inch NPT

Physical Characteristics

Body Cast Iron

Window Clear Acrylic

Covers Mild Steel

O-Rings Buna-N

Installation

Sight Flow Connections may be installed in vertical or horizontal piping for flow in either direction. When finally positioned, one of the Windows must not be obstructed from straight-on viewing.

Care and Maintenance

The following inspection procedure must be performed as indicated, in addition to any specific requirements of the NFPA. Any impairments must be immediately corrected.

The owner is responsible for the inspection, testing, and maintenance of their fire protection system and devices in compliance with this document, as well as with the applicable standards of the National Fire Protection Association (e.g., NFPA 25), in addition to the standards of any authority having jurisdiction. The installing contractor or product manufacturer should be contacted relative to any questions.

It is recommended that automatic sprinkler systems be inspected, tested, and maintained by a qualified Inspection Service in accordance with local requirements and/or national codes.



NOTICE

Before closing a fire protection system control valve for inspection or maintenance work on the fire protection system that it controls, permission to shut down the affected fire protection systems must be obtained from the proper authorities and all personnel who may be affected by this decision must be notified.

After placing a fire protection system in service, notify the proper authorities and advise those responsible for monitoring proprietary and/or central station alarms.

INSPECTION PROCEDURE

During flow testing, verify that the water flow through the Sight Flow Connection is visible. The Sight Flow Connection may be disassembled and reassembled for cleaning. If sufficient cleaning cannot be achieved, replace with a new Sight Flow Connection.

Limited Warranty

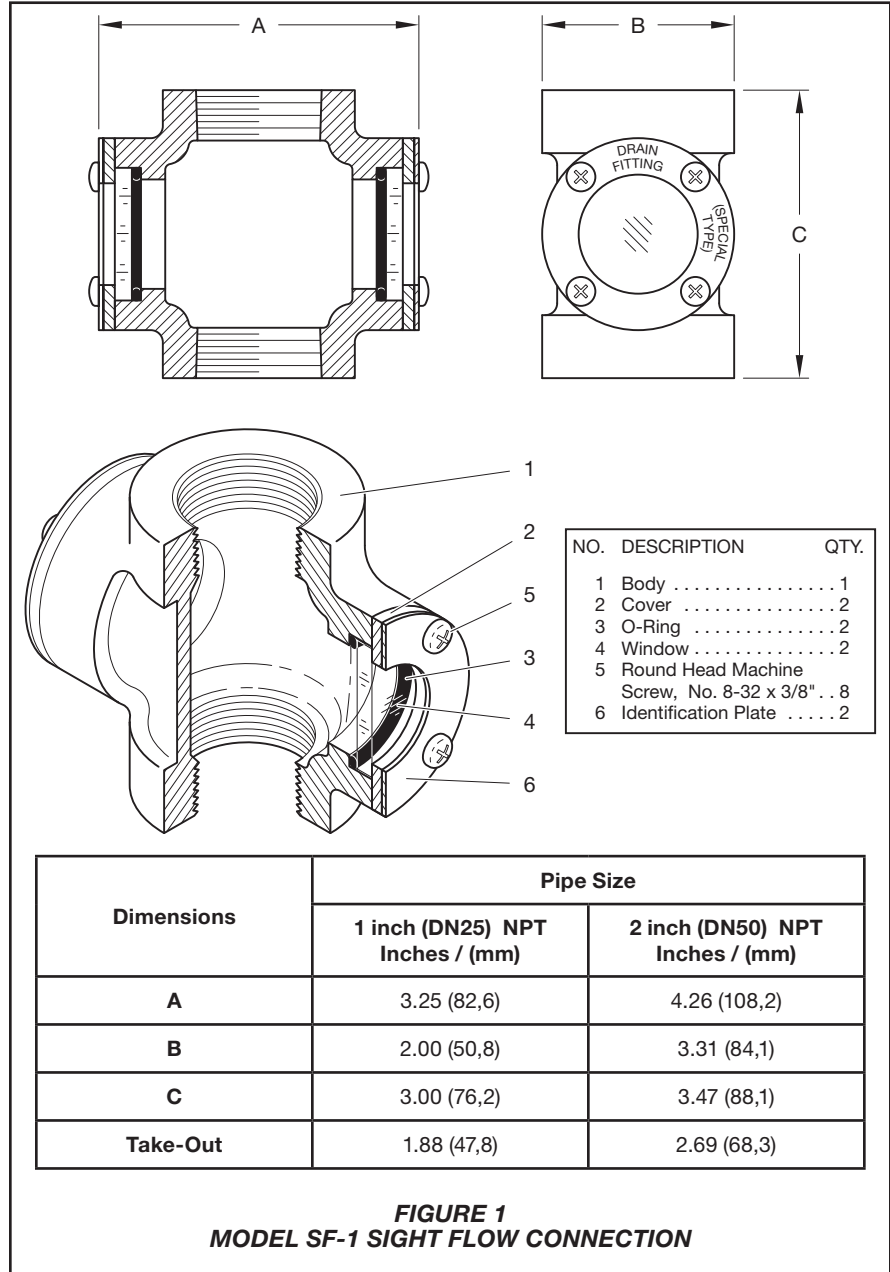
Products manufactured by TYCO Fire Protection Products (TFPP) are warranted solely to the original Buyer for ten (10) years against defects in material and workmanship when paid for and properly installed and maintained under normal use and service. This warranty will expire ten (10) years from date of shipment by TFPP. No warranty is given for products or components manufactured by companies not affiliated by ownership with TFPP or for products and components which have been subject to misuse, improper installation, corrosion, or which have not been installed, maintained, modified or repaired in accordance with applicable Standards of the National Fire Protection Association, and/or the standards of any other authorities having jurisdiction. Materials found by TFPP to be defective shall be either repaired or replaced, at TFPP's sole option. TFPP neither assumes, nor authorizes any person to assume for it, any other obligation in connection with the sale of products or parts of products. TFPP shall not be responsible for sprinkler system design errors or inaccurate or incomplete information supplied by Buyer or Buyer's representatives.

In no event shall TFPP be liable, in contract, tort, strict liability or under any other legal theory, for incidental, indirect, special or consequential damages, including but not limited to labor charges, regardless of whether TFPP was informed about the possibility of such damages, and in no event shall TFPP's liability exceed an amount equal to the sales price.

The foregoing warranty is made in lieu of any and all other warranties, express or implied, including warranties of merchantability and fitness for a particular purpose.

This limited warranty sets forth the exclusive remedy for claims based on failure of or defect in products, materials or components, whether the claim is made in contract, tort, strict liability or any other legal theory.

This warranty will apply to the full extent permitted by law. The invalidity, in whole or part, of any portion of this warranty will not affect the remainder.



Ordering Procedure

Orders must include description and part number (P/N). Contact your local distributor for availability.

Model SF-1 Sight Flow Connection:
 Specify: (specify 1 or 2) Inch Model SF-1 Sight Flow Connection, P/N (specify).

- 1 Inch P/N 52-069-1-006
- 2 Inch P/N 52-069-1-009