

Model BFV-300 Butterfly Valve Wafer Style

General Description

The TYCO Model BFV-300 Wafer Style Butterfly Valves are indicating type valves designed for use in fire protection systems where a visual indication of open valve condition is required. They are used, for example, as system, sectional and pump water control valves, and are suitable for installation between ANSI Class 125/150 flanges as well as PN10/16 flanges without the need for flange gaskets.

For applications requiring supervision of the open state of the valve, the Gear Operators for the Model BFV-300 Butterfly Valves feature two sets of factory installed internal switches each having SPDT contacts (Ref. Figure 3). The supervisory switches transfer their electrical contacts when there is movement from the open or closed disc position during the first two revolutions of the handwheel.

NOTICE

The Model BFV-300 Wafer Style Butterfly Valves described herein must be installed and maintained in compliance with this document, as well as with the applicable standards of the National Fire Protection Association, in addition to the standards of any other authorities having jurisdiction. Failure to do so may impair the performance of these devices.

The owner is responsible for maintaining their fire protection system and devices in proper operating condition. Contact the installing contractor or product manufacturer with any questions.

Technical Data

Approvals

UL Listed
FM Approved
CE Certified
VdS Approved
Russian Fire Certificate
CNPP R1 Listed-APSA
Listed by California State Fire Marshall

Refer to Tables A and B for applicability.

All laboratory listings and approvals are for indoor and outdoor use.

Sizes

2–12 Inch (DN50–DN300)

UL/FM Maximum Working Pressure

2–8 Inch (DN50–DN200) 300 psi (20,7 bar)
10–12 Inch (DN250–DN300) . . . 175 psi (12,1 bar)

VdS Maximum Working Pressure

2–8 Inch (DN50–DN200) 300 psi (20,7 bar)
10 Inch (DN250) 232 psi (16,0 bar)
12 Inch (DN300) 175 psi (12,1 bar)

Maximum Working Temperature

212°F (100°C) in accordance with UL 1091

Materials of Construction

Body Ductile Iron
Body Coating RILSAN PA11 Black
Disc Ductile Iron
Disc Seal EPDM Encapsulated
Upper & Lower Stem. Stainless Steel
Handwheel Ductile Iron
Actuator, 2–6 Inch (DN50–DN150):

- IP 65, bronze traveling nut gearbox, ductile iron housing
- Actuator, 8–12 Inch (DN200–DN300):
- IP 65, brass segmented gearbox, ductile iron housing

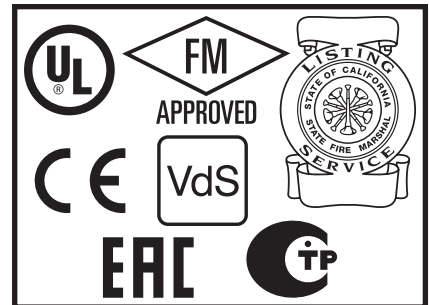
Silicone Free Model Availability

Silicone free models are available. Contact Tyco sales for information.

Control Valve Seat Leakage Class

IEC 60534-4

CLASS VI (Type C) Control Valve Seat Leakage according to ANSI/FCI 70-2-2006 (ASME B16.104)



Nominal Valve Size Inches (DN)	Nominal Dimensions Inches (mm)								Weight Lbs. (kg)
	A	B	C	D	E	F	G	H	
2 (DN50)	1.50 (38)	10.63 (270)	2.85 (72,5)	4.90 (124,5)	4.92 (125)	4.28 (108,6)	1.99 (50,5)	1.34 (34)	13.45 (6,1)
2-1/2 (DN65)	1.81 (46)	11.67 (296,5)	3.35 (85)	5.45 (138,5)	4.92 (125)	4.28 (108,6)	1.99 (50,5)	1.65 (41,9)	13.4 (6,1)
3 (DN80)	1.81 (46)	12.27 (311,7)	3.58 (91)	5.81 (147,7)	4.92 (125)	4.28 (108,6)	1.99 (50,5)	2.34 (59,5)	14.1 (6,4)
— (DN80)	1.81 (46)	12.27 (311,7)	3.58 (91)	5.81 (147,7)	4.92 (125)	4.28 (108,6)	1.99 (50,5)	2.34 (59,5)	14.1 (6,4)
4 (DN100)	2.16 (55)	13.92 (353,5)	4.29 (109)	6.75 (171,5)	4.92 (125)	4.28 (108,6)	1.99 (50,5)	3.25 (82,6)	15 (6,8)
5 (DN125)	2.4 (61)	16 (406,6)	5.16 (131)	7.93 (201,5)	5.91 (150)	5.79 (147)	2.32 (58,9)	4 (101,6)	26.2 (11,9)
6 (DN150)	2.4 (61)	17.07 (433,6)	5.71 (145)	8.44 (214,5)	5.91 (150)	5.79 (147)	2.32 (58,9)	5.22 (132,6)	24.5 (11,1)
8 (DN200)	2.48 (63)	19.63 (498,5)	6.69 (170)	9.29 (236)	8.86 (225)	8.19 (208)	2.76 (70)	7.3 (185,4)	44.1 (20)
— (DN200)	2.48 (63)	19.63 (498,5)	6.69 (170)	9.29 (236)	8.86 (225)	8.19 (208)	2.76 (70)	7.3 (185,4)	44.1 (20)
10 (DN250)	2.91 (74)	23.01 (584,5)	8.27 (210)	11.1 (282)	11.14 (283)	8.19 (208)	2.91 (74)	9.05 (230)	63.9 (29)
12 (DN300)	3.03 (77)	25.16 (639)	9.5 (241,5)	12.2 (310)	11.14 (283)	8.19 (208)	2.91 (74)	11.53 (292,8)	86.42 (39,2)

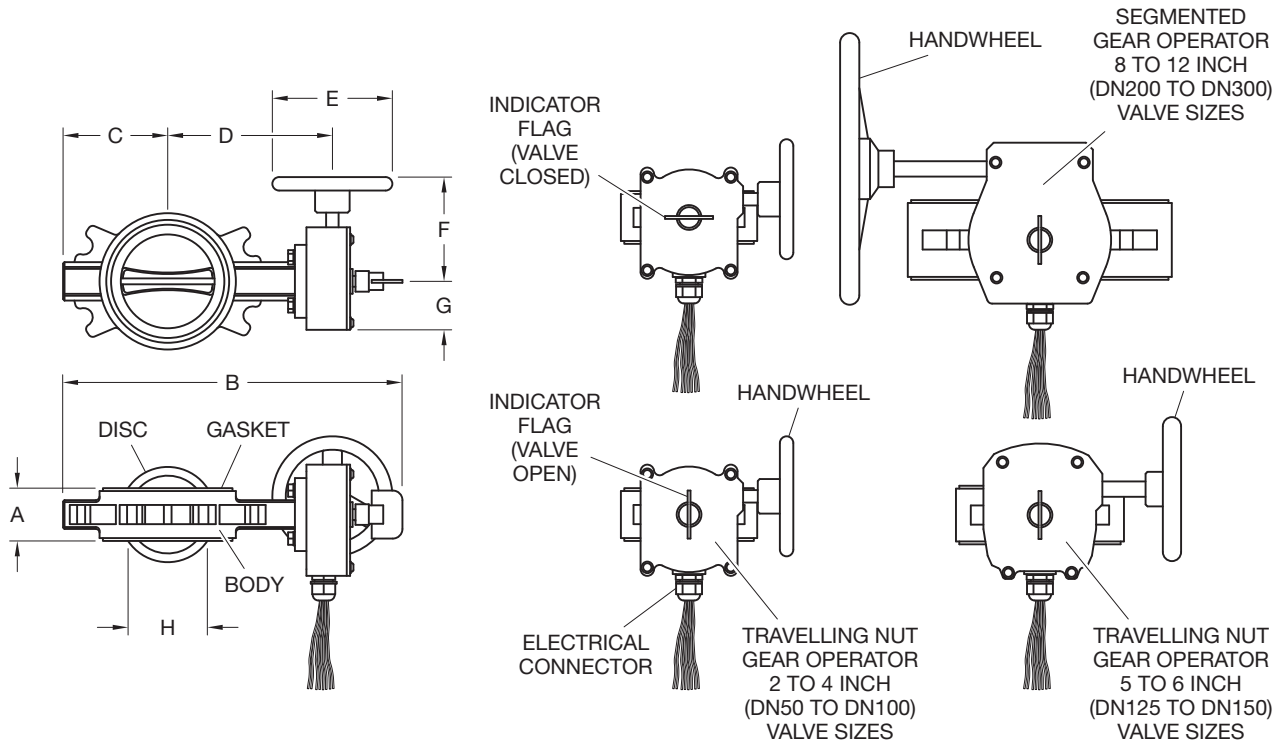


FIGURE 1
MODEL BFV-300 WAFER STYLE BUTTERFLY VALVE
NOMINAL DIMENSIONS

No.	Part	Material	Qty.	No.	Part	Material	Qty.	No.	Part	Material	Qty.
01	Body	ASTM A-536	1	14	Stem Housing	Fe	1	28	Spring Pin Ø4 x 0.8 x 25	ASTM A-228	1
02	Upper Stem	AISI 410	1	15	Spring Pin	ASTM A-228	1	29	Handwheel	ASTM A-536	1
03	Lower Stem	AISI 410	1	16	Indicator	ASTM A-619	1	30	Bolt (Round)	ASTM A-167	3
04	Disc	EPDM	1	17	O-Ring	NBR	1	31	Plate Washer	ASTM A-167	4
05	O-Ring (P12)	EPDM	4	18	Cover Gasket	Paper	1	32	Switch Assembly	—	1
06	Oiless B/R (MB1410)	—	4	19	Spring Pin Ø5 x 1T x 25	ASTM A-228	1	33	T/R Bolt	ASTM A-307	2
07	End Cap 2-1/2 - 4 Inch	EPDM	1	20	O-Ring (P10)	EPDM	1	34	Tapping Screw ST3.5 x 7.5	S10C	1
08	Gear Box	ASTM A-536	1	21	Worm Shaft	AISI 410	1	35	Tooth Washer 4#	S10C	1
09	Traveling Nut 2 - 6 Inch	Bronze	1	22	Bushing (1)	FD-0205-45	1	36	Lever	ASTM A-619	1
	Segment Gear 8 - 12 Inch	C3604BD	1	23	Collar	FD-0205-45	1	37	Connector	—	1
10	Bushing (2)	FD-0205-45	1	24	Spring Washer	ASTM A-167	4	38	Sticker	—	1
11	Cover	ASTM A-619	1	25	Hex Bolt M8 x 20L	ASTM A-167	2	39	Sticker	—	1
12	Bushing	Fe	1	26	Hex Bolt M8 x 25L	ASTM A-167	2	40	Gasket	EPDM	2
13	Headless Wrench Bolt M5 x 7L	ASTM A-307	1	27	Gasket	Paper	1	41	Spring Pin Ø3 x 0.6T x 25	ASTM A-228	1

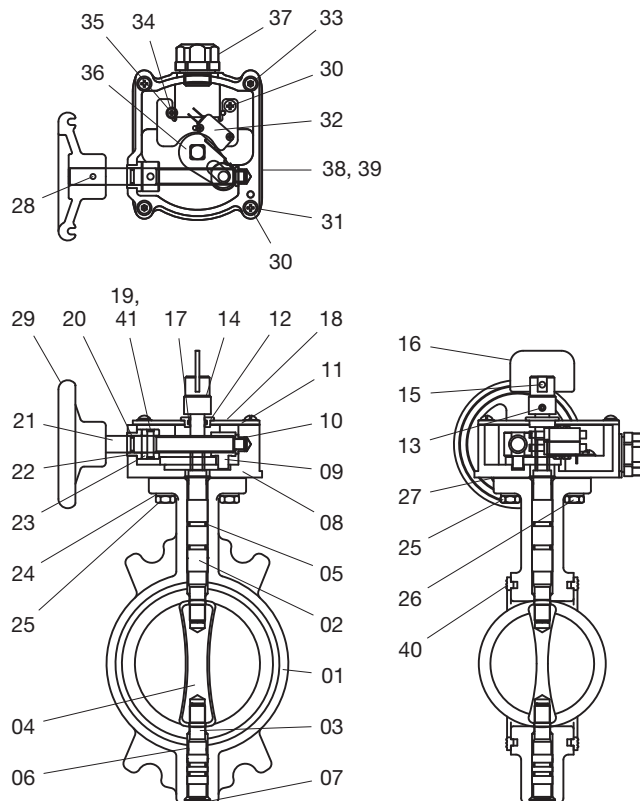


FIGURE 2
MODEL BFV-300 WAFER STYLE BUTTERFLY VALVE
ASSEMBLY

Nominal Valve Size Inches (DN)	Max. PSI (bar)	Flange Face	Part Number		Agency Listing/Approval							
			BFV-300 with Internal Switch	BFV-300 without Internal Switch	CE	UL	FM	VdS	CA Fire Marshall	CNPP	PAVUS	Russian Fire Cert.
2 (DN50)	300 (20,7)	ANSI 16.5, BS PN16	59300W020WS	59300W020NS	✓	✓		✓			✓	✓
2-1/2 (DN65)	300 (20,7)	ANSI 16.5, BS PN16	59300W025WS	59300W025NS	✓	✓	✓	✓	✓		✓	✓
3 (DN80)	300 (20,7)	ANSI 16.5	59300W030WS	59300W030NS	✓	✓	✓	✓	✓		✓	✓
— DN80	300 (20,7)	BS PN16	59300W036WS	59300W036NS	✓	✓	✓	✓			✓	✓
4 (DN100)	300 (20,7)	ANSI 16.5, BS PN16, AS 2129 Table E	59300W040WS	59300W040NS	✓	✓	✓	✓	✓		✓	✓
5 (DN125)	300 (20,7)	ANSI 16.5, BS PN16	59300W050WS	59300W050NS	✓	✓	✓	✓	✓		✓	✓
6 (DN150)	300 (20,7)	ANSI 16.5, BS PN16, AS 2129 Table E	59300W060WS	59300W060NS	✓	✓	✓	✓	✓		✓	✓
8 (DN200)	300 (20,7)	ANSI 16.5, BS PN10	59300W080WS	59300W080NS	✓	✓	✓	✓	✓		✓	✓
— DN200	300 (20,7)	BS PN16	59300W086WS	59300W086NS	✓	✓	✓	✓			✓	✓
10 (DN250)	175 (12,1)	ANSI 16.5, BS PN10/16	59300W100WS	59300W100NS	✓	✓	✓	✓	✓		✓	✓
12 (DN300)	175 (12,1)	ANSI 16.5, BS PN10/16	59300W120WS	59300W120NS	✓	✓		✓			✓	✓

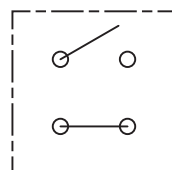
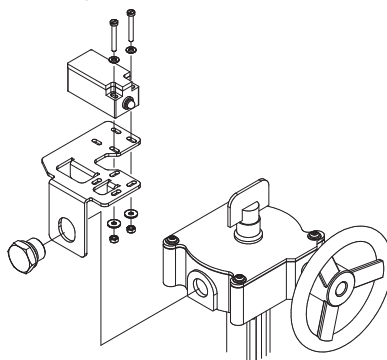
TABLE A
MODEL BFV-300 WAFER STYLE BUTTERFLY VALVE
WITH OR WITHOUT INTERNAL SUPERVISORY SWITCHES
PART NUMBER SELECTION AND AGENCY LISTINGS/APPROVALS

Nominal Valve Size Inches (DN)	Max. PSI (bar)	Flange Face	Part Number		Agency Listing/Approval		
			BFV-300 Supv. Switch OPEN	BFV-300C Supv. Switch CLOSED	CE	VdS	CNPP
2 (DN50)	300 (20,7)	ANSI 16.5, BS PN16	59300W020AWS	59300W020AWSC	✓	✓	✓
2-1/2 (DN65)	300 (20,7)	ANSI 16.5, BS PN16	59300W025AWS	59300W025AWSC	✓	✓	✓
3 (DN80)	300 (20,7)	ANSI 16.5	59300W030AWS	59300W030AWSC	✓	✓	✓
— DN80	300 (20,7)	BS PN16	59300W036AWS	59300W036AWSC	✓	✓	✓
4 (DN100)	300 (20,7)	ANSI 16.5, BS PN16, AS 2129 Table E	59300W040AWS	59300W040AWSC	✓	✓	✓
5 (DN125)	300 (20,7)	ANSI 16.5, BS PN16	59300W050AWS	59300W050AWSC	✓	✓	✓
6 (DN150)	300 (20,7)	ANSI 16.5, BS PN16, AS 2129 Table E	59300W060AWS	59300W060AWSC	✓	✓	✓
8 (DN200)	300 (20,7)	ANSI 16.5, BS PN10	59300W080AWS	59300W080AWSC	✓	✓	✓
— DN200	300 (20,7)	BS PN16	59300W086AWS	59300W086AWSC	✓	✓	✓
10 (DN250)	175 (12,1)	ANSI 16.5, BS PN10/16	59300W100AWS	59300W100AWSC	✓	✓	✓
12 (DN300)	175 (12,1)	ANSI 16.5, BS PN10/16	59300W120AWS	59300W120AWSC	✓	✓	✓

TABLE B
MODEL BFV-300 WAFER STYLE BUTTERFLY VALVE
WITH CNPP-APSAD LARGE 100 X 100 MM FLAG AND INTERNAL OPEN AND CLOSED SUPERVISORY SWITCHES
PART NUMBER SELECTION AND AGENCY LISTINGS/APPROVALS

Nominal Valve Size Inches (DN)	Gear Operator Type	Part Number			
		Mounting Bracket with Mounting Bolts	Bernstein i88-IP65 Regular Switch	Bernstein i88-IP65 LED Switch 24V	Bernstein GC-SU1Z Ex IP-66/67 ATEX (Ex II2G Ex dIIC T6 Gb) Switch
2-4 (DN50-DN100)	Travelling Nut	59300SPBRACKET10	59300SPSW	59300SPSWLED	59300SPSWATEX
5-6 (DN125-DN200)		59300SPBRACKET20			
8 (DN200)	Segmented Gear	59300SPBRACKET25			
10-12 (DN250-DN300)		59300SPBRACKET30			

Notes:
 1. Install a single switch in either bracket mounting position to monitor Open or Closed valve condition



Bernstein Switch Wiring Diagram

TABLE C
MODEL BFV-300 WAFER STYLE BUTTERFLY VALVE WITHOUT INTERNAL SUPERVISORY SWITCHES
ACCESSORY EXTERNAL SUPERVISORY SWITCHES AND MOUNTING BRACKETS
PART NUMBER SELECTION

Installation

The TYCO Model BFV-300 Wafer Style Butterfly Valves may be installed with flow in either direction and can be positioned either horizontally or vertically. They are designed for installation between the faces of ANSI Class 125 and 150 flanges as well as PN10/16 flanges without the need for flange gaskets. The Series BFV-300 are self-sealing between mating flanges; therefore, they do not require the use of additional gaskets.

The Model BFV-300 may be installed with any pressure class or schedule of pipe or tubing no greater than schedule 40 that is listed or approved for fire protection service and installed in accordance with the manufacturers instructions.

The wafer bodies have locating lugs to ensure proper centering of the valve body when flange bolts are installed. Refer to Figure 2 for bolt diameter. Bolts

and studs must meet the minimum strength requirements of ASTM A307 (Grade B), and the nuts must meet the minimum strength requirements of ASTM A563 (Grade A).

Prior to installation, close the valve. Spread the flanges apart to allow the valve to slip easily between the flanges. Make sure the pipe flange faces are clean of any foreign material such as scale, metal shavings, or welding slag. Insert the valve between the flanges (without flange gaskets). Do not apply lubricant to the seat faces as this may damage the seat material. Be sure to center the valve and do not damage the liner. Relax the separation of the flanges, install, and hand-tighten all flange bolts. Slowly open the valve, checking for free movement of the disc. If valve opens freely, leave the valve in the open position, and using a cross-draw sequence, tighten all flange bolts until the valve is metal-to-metal with both mating flanges. Recommended tightening torques are listed in Table E.

Be certain to keep flange faces as parallel as possible during and after tightening bolts or studs. After final tightening, again check the valve for full opening and closing.

As applicable, refer to Figure 3 for the internal switch wiring diagram.

Conduit and electrical connections are to be made in accordance with the authority having jurisdiction and/or the National Electrical Code. With reference to Figure 3, the supervisory switch is intended for connection to the supervisory circuit of a fire alarm control panel in accordance with NFPA 72. The auxiliary switch is intended for the unsupervised connection to auxiliary equipment in accordance with NFPA 70, National Electric Code.

NOTE: For outdoor applications with internal supervisory switches, it is recommended that wiring connections be made at a temperature above 15°F (-9°C), in order to insure sufficient flexibility of the wire lead insulation.

Nominal Valve Size Inches (DN)	Part Number
2-4 (DN50-DN100)	59300SPHWHEEL10
5-8 (DN125-DN200)	59300SPHWHEEL20
10-12 (DN250-DN300)	59300SPHWHEEL30

TABLE D
BFV-300 WAFER STYLE BUTTERFLY VALVE
REPLACEMENT HANDWHEEL
PART NUMBER SELECTION

Nominal Flange Size ANSI Inches (DN)	Recommended Minimum Torque Ft.-Lbs (Nm)
2-4 (DN50-DN100)	20-30 (27,1-40,7)
5-8 (DN125-DN200)	33-50 (44,7-67,8)
10-12 (DN250-DN300)	53-75 (71,8-101,7)

TABLE E
RECOMMENDED MATING
FLANGE BOLT TORQUES

Care and Maintenance

The TYCO Model BFV-300 Wafer Style Butterfly Valves must be maintained and serviced in accordance with this section.

Before closing a fire protection system control valve for maintenance or inspection work on either the valve or fire protection system which it controls, permission to shut down the affected fire protection systems must be obtained from the proper authorities and all personnel who may be affected by this decision must be notified.

The owner is responsible for the inspection, testing, and maintenance of their fire protection system and devices in accordance with the applicable standards of the National Fire Protection Association (e.g., NFPA 25), in addition to the standards of any authority having jurisdiction. Contact the installing contractor or product manufacturer with any questions. Any impairment must be immediately corrected.

It is recommended that automatic sprinkler systems be inspected, tested, and maintained by a qualified Inspection Service.

Limited Warranty

For warranty terms and conditions, visit www.tyco-fire.com.

Ordering Procedure

Contact your local distributor for availability. When placing an order, indicate the full product name and Part Number (P/N).

Butterfly Valves

Model BFV-300 with Internal Open Supervisory Switches

Specify: (specify size) Model BFV-300 Wafer Style Butterfly Valve, Internal Open Supervisory Switches, P/N (specify per Table A)

Model BFV-300 without Supervisory Switches

Specify: (specify size) Model BFV-300 Wafer Style Butterfly Valve, P/N (specify per Table A)

Model BFV-300 with Internal Open Supervisory Switches, APSAD Approved

Specify: (specify size) Model BFV-300 Wafer Style Butterfly Valve, Internal Open Supervisory Switches, APSAD Approved, P/N (specify per Table B)

Model BFV-300 with Internal Closed Supervisory Switches, APSAD Approved

Specify: (specify size) Model BFV-300 Wafer Style Butterfly Valve, Internal Open Supervisory Switches, APSAD Approved, P/N (specify per Table B)

Accessories

External Supervisory Switch and Mounting Bracket

Note: Accessory external supervisory switches and mounting brackets are applicable only to valves without factory-installed internal supervisory switches.

Refer to Table C for switch models and part numbers.

Specify: (specify size) Model BFV-300 Wafer Style Butterfly Valve External Switch Mounting Bracket, P/N (specify), with (specify quantity) Bernstein External Switch (specify model), P/N (specify)

Replacement Parts

Note: Only items described in this section are offered as replacement parts.

Handwheel

Replacement handwheel includes pin.

Specify: Handwheel, (specify size) Model BFV-300 Wafer Style Butterfly Valve, P/N (specify per Table D)

